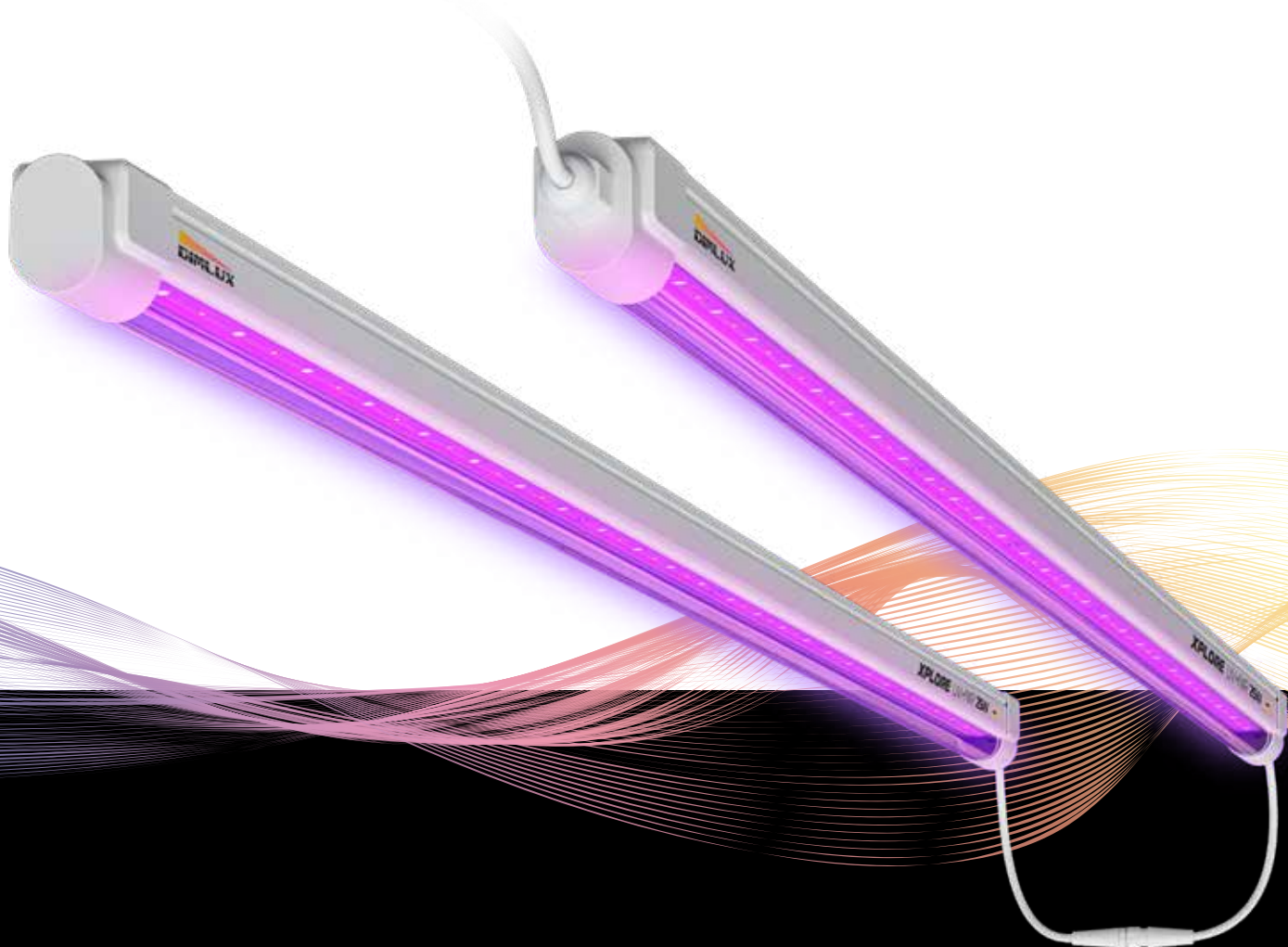


DIMLUX

XPLORE NIR+UV ADD-ON 2X 25W LED
XPLORE NIR ADD-ON 2X 25W LED
XPLORE UV ADD-ON 2X 25W LED
MANUAL



USER MANUAL

Engineered & Designed in Holland

www.dimlux.nl

KNOWLEDGE BASE

Direct link:

www.dimlux.nl/knowledge-base

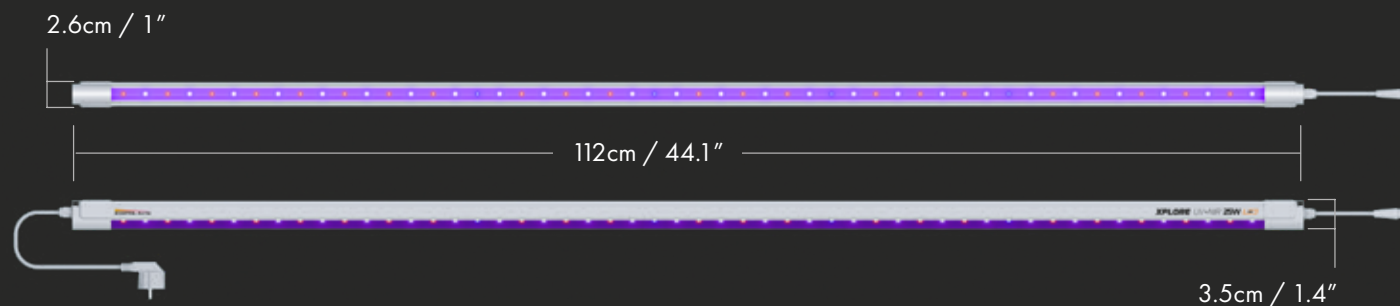


Scan the QR-code to go to our online knowledge base with more tutorials and videos.

SPECIFICATIONS

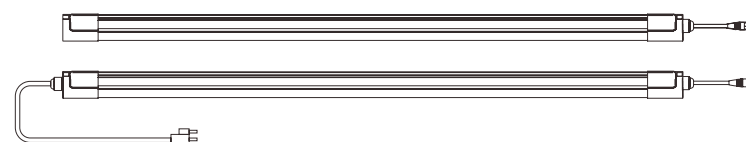
| XPLORE SERIES | UV 25W LED | NIR 25W LED | UV+NIR 25W LED |
|---------------------------------------|-----------------------------------|-------------|----------------|
| Light Source | 25W x2 LED | 25W x2 LED | 25W x2 LED |
| Total Photon Efficacy (PPE 350-800nm) | 0.86 μmol/J | 1.65 μmol/J | 1.93 μmol/J |
| Light Output Total (PPF 350-800nm) | 43 μmol/s | 82.5 μmol/s | 96.7 μmol/s |
| Light color | 10.000K | 1.000K | 10.000K |
| AC Input Voltage | 120-277V AC, 50/60Hz | | |
| Rcmd Mounting Height | 50-75cm / 20-30" | | |
| Rcmd UV+NIR spacing | 50-75cm / 20-30" Between Each bar | | |
| Max. Ambient Temperature | 40°C / 105°F | | |
| Light scattering angles | 120° | | |
| Connect up to | max. 40 | | |
| Lifetime L90 | > 50,000hrs | | |
| Measurements | 1120x26x35mm / 44.1"x1"x1.4" | | |
| IP Rating IP66 | IP66 | | |
| Certifications | CE | | |
| Warranty 3 Year Standard | 3 Year Standard | | |

MEASUREMENTS

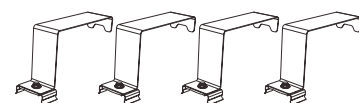


SYSTEM HARDWARE & ACCESSORIES

(Depending on your product selection at the time of purchase)



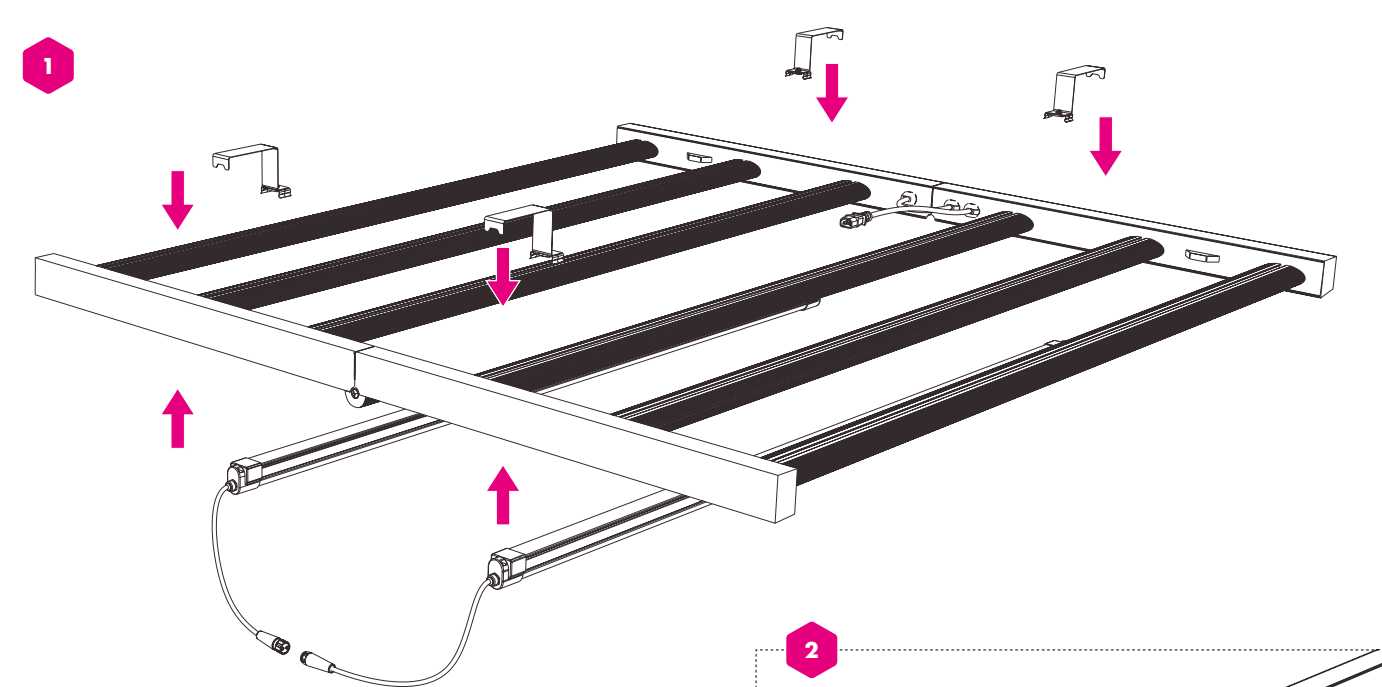
2x Dimlux Xplore 25W UV/FR
Supplementary Light Bar



4x Mounting Brackets

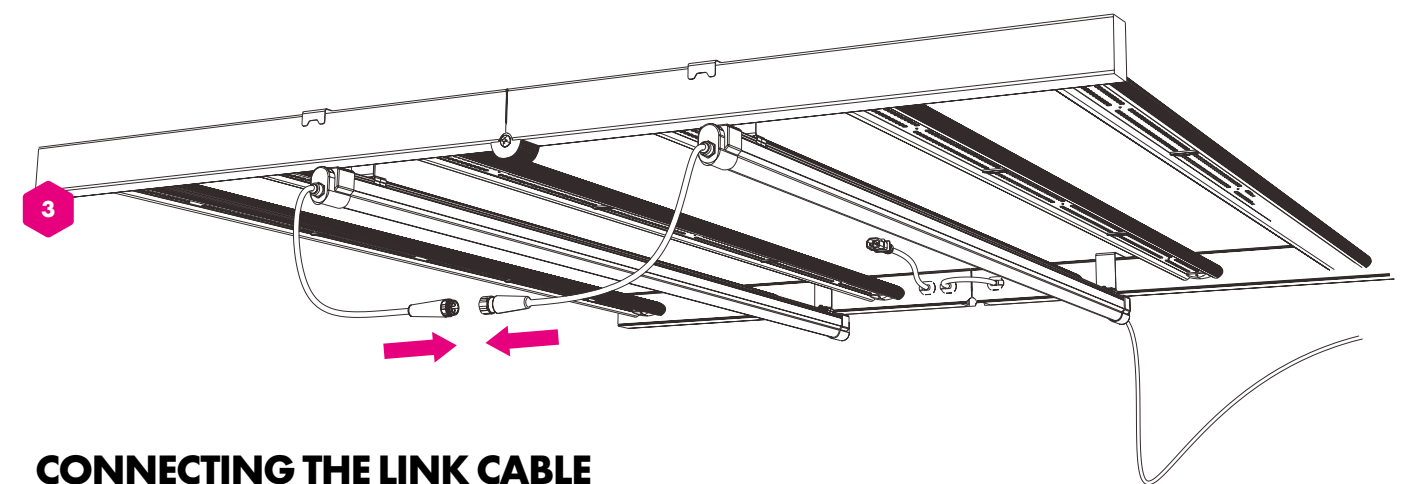
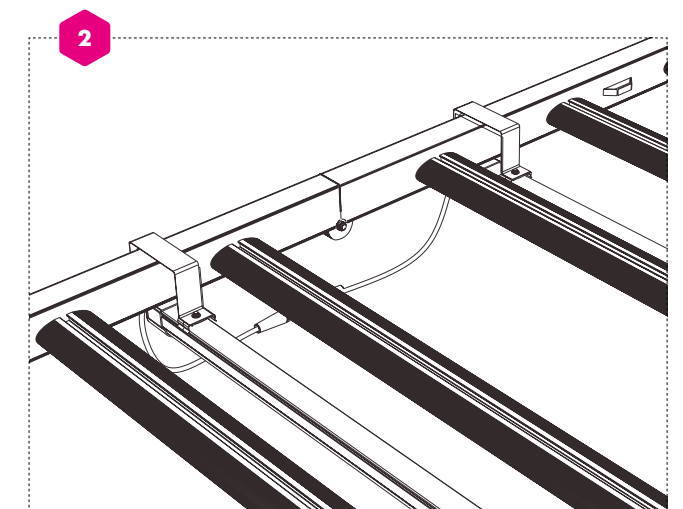
READ THIS FIRST

1. Risk of fire or electric shock: turn of power before installing.
2. Always use product with safe working load.
3. Designed for statically positioned hanging. Do not use for lifting or with dynamic positioning.
4. Do not stand or walk on product.
5. Always use manufacturer supplied and specified cables. Never use barb wire.
6. Do not apply oil or any other lubricant to the fastener or any other part of the cable assembly.
7. Read instructions before installation.



HOW TO PLACE THE SUPPLEMENTARY LIGHT BAR

- 1 Place the mounting brackets over the LED frame from above.
- 2 Place the Supplementary Light Bar from below and connect them with the mounting brackets by using the screws.

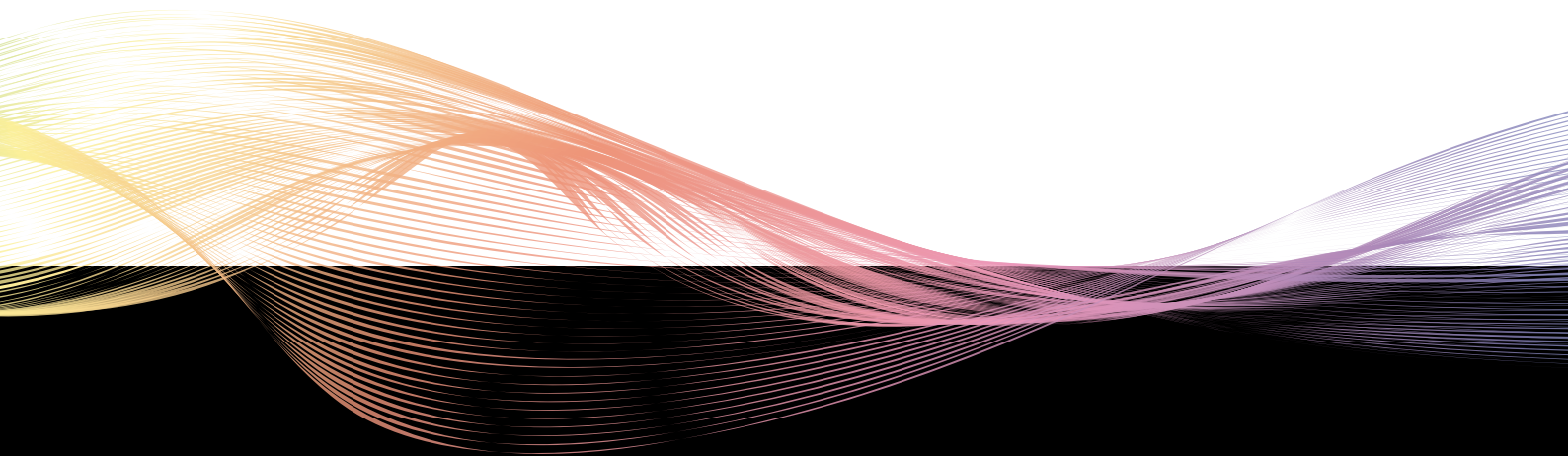


CONNECTING THE LINK CABLE

- 3 Connect the male and female connector of both Supplementary Light Bars

DIMLUX

XPLORE NIR+UV ADD-ON 2X 25W LED
XPLORE NIR ADD-ON 2X 25W LED
XPLORE UV ADD-ON 2X 25W LED
MANUAL



USER MANUAL

Engineered & Designed in Holland

www.dimlux.nl

Manual version 0101 2024



DIMLUX

**THE FUTURE OF GROWING
JUST GOT BRIGHTER.**