

DIMLUX

XPLORE SERIES **100W / 200W** COMPACT LINE MANUAL



USER MANUAL

Engineered & Designed in Holland

www.dimlux.nl

Manual version 0605 2024

KNOWLEDGE BASE

Direct link: www.dimlux.nl/knowledge-base

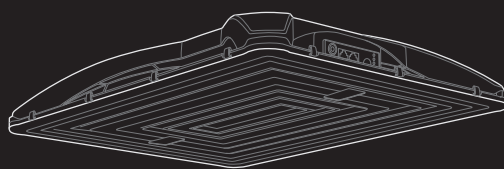


Scan the QR-code to go to our online knowledge base with more tutorials and videos.

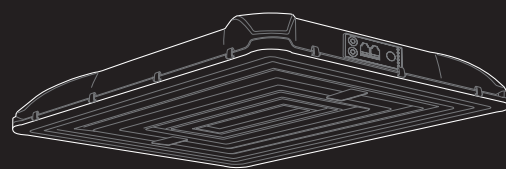


**THE FUTURE OF GROWING
JUST GOT BRIGHTER.**

DIMLUX XPLORE SERIES COMPACT LINE



DIMLUX XPLORE SERIES
100W LED COMPACT LINE



DIMLUX XPLORE SERIES
200W LED COMPACT LINE

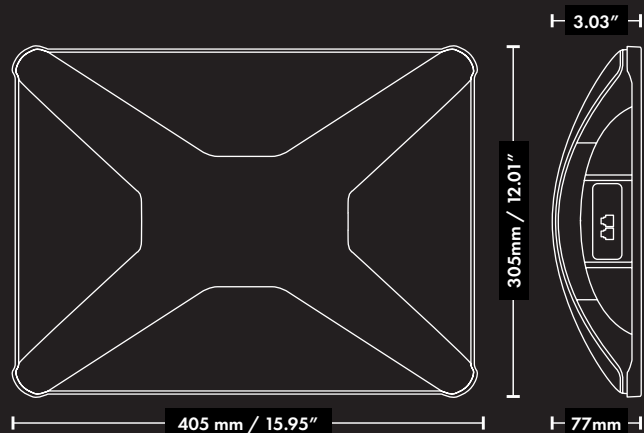
SPECIFICATIONS

Light Source	100W LED	200W LED
Light Output (PPF)	269 $\mu\text{mol/s}$	542 $\mu\text{mol/s}$
Light Output Total (PPF 350-800nm)	270 $\mu\text{mol/s}$	550 $\mu\text{mol/s}$
PAR Photon Efficacy (400-700nm)	2.69 $\mu\text{mol/J}$ @ 230V AC	2.71 $\mu\text{mol/J}$ @ 230V AC
Total Photon Efficacy (350-800nm)	2.7 $\mu\text{mol/J}$ @ 230V AC	2.75 $\mu\text{mol/J}$ @ 230V AC
Input Voltage	120-240V AC, 50/60Hz	
Power Factor	> 0.9	
Dimming	0-10V	
Max. Ambient Temperature	0°C to 40°C / 32°F to 104°F (95% RH)	
Controller	Maxi Controller or External Controller	
Mounting Height	$\geq 30\text{cm}$ / 12" Above Canopy	$\geq 45\text{cm}$ / 18" Above Canopy
Rcmd Hanging Height	100×100cm min. 50cm / 40"×40" min. 20"	120×120cm min. 60cm / 4'×4' min. 2'
Rcmd Hanging Height	80×80cm min. 40cm / 32"×32" min. 16"	100×100cm min. 50cm / 40"×40" min. 20"
Lifetime L90	> 50,000hrs	
IP Rating	IP65	
Certifications	CE, ETL, SAA	
Dimensions	405 x 305 x 77mm / 15.95" x 12.01" x 3.03"	
Weight	1.97 Kg / 4.33 lbs	
Warranty	3 Year Standard	

Introducing a cutting-edge quantum board grow light designed for home use, representing the next generation in indoor gardening technology. What sets this product apart is its innovative waterproof technology, a feature that distinguishes it from the numerous LED grow lights available in the market.

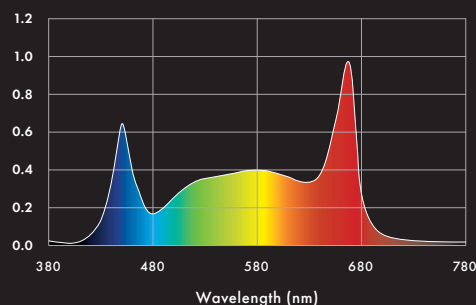
This grow light offers adjustable light intensity through multi-mode dimming, facilitated by a control port for Maxi controller connection. The inclusion of a polycarbonate lens ensures higher reliability, as it insulates diodes from water and dust, preventing potential LED damage. The lens also directs the light into a beam shape which ensures maximum light penetration to the lower leaves.

DIMENSIONS



SPECTRUM DISTRIBUTION

Additionally, the enhanced full spectrum emitted by this light promotes rapid flowering in plant species cultivated indoors under artificial lighting. This spectrum closely mimics natural sunlight and caters to the needs of both high and low DLI (Daily Light Integral) crops, making it an ideal choice for all indoor gardening enthusiasts.



**IMPORTANT SAFETY PRECAUTIONS
& EXPLANATION OF SYMBOLS**

- Please read this manual thoroughly before attempting to install or operate any Dimlux Xplore Series LED system.
- After successful installation and configuration of the system, be sure to retain this manual in a safe place for future reference. Safety is a key component to a long lasting and trouble-free installation.
- It is important you read, fully understand, and observe the subsequent safety precautions. If you are not comfortable with the installation of high performance lighting systems, you should seek the services of a qualified installation professional.
- Connect the system only to the power sources of the appropriate voltage using the AC plug type received. Protect power cables from being pinched, walked on, or otherwise damaged. Be especially careful where the power cable enters the power outlet of the unit. Only connect the system to an electrical outlet or extension cord of appropriate type and rating. Connect the system only to the power sources of the correct voltage using the plug received.
- **DO NOT** defeat the safety purpose of a grounding or polarized plug by removing ground pins or using unsafe adapters. A polarized plug has two blades –one wider than the other. A grounding plug has a third ground prong in addition to the two main conductors. The wide blade or third grounding prong is provided for your safety.

If the provided plug does not fit your outlet, consult an electrician to replace your obsolete outlet. If you replace the power cord, only use one of similar type and equal or greater current rating.

- The system should only be cleaned as directed in the manual. You should seek service for your system by qualified service personnel if any of the following occur:
 1. The power-supply cord or the plug has been damaged
 2. The unit has been exposed to rain
 3. The unit exhibits a marked change in performance
 4. The unit has been dropped, or its enclosure or chassis is damaged

**SAFETY RECOMMENDATIONS
AND WARNINGS**

- Always adhere to the local rules and regulations when installing or using the LED fixture.
- Do not open or disassemble the LED fixture, it contains no serviceable parts inside. Opening or modifying the LED fixture can be dangerous and will void the warranty.
- This product may cause interference to radio equipment and should not be installed near maritime safety communications equipment or other critical navigation or communication equipment operating between 0.45 - 30 MHz.
- Do not use the LED fixture when either the LED fixture or its power cord are damaged. Replace the power cord only with original certified cords.
- Modifications to the cords can lead to unwanted electromagnetic effects, which makes the product not comply with legal requirements.
- Do not expose the LED fixture to:
 - (ambient) temperatures outside the specified range;
 - dust and contamination;
 - direct sunlight during use or HID light that could heat up the ballast.
- Always disconnect the LED fixture from mains before performing any maintenance.
- Always allow for a cool down period of at least 30 minutes before touching the LED rails. Touching the LED rails when the fixture is lit or immediately afterwards can result in severe burns!
- Do not use the LED fixture near flammable, explosive or reactive substances. Do not use sulfur vaporizers or water misters.

The installation and use of the LED fixture is the responsibility of the end user. Incorrect use or installation can lead to failure and damage to the LED fixture. Damage to the LED fixture and electronic circuitry as a result of incorrect installation and use revokes the warranty.

CULTIVATION BEST PRACTICES

- Check the growth and health of your plants regularly. Dimlux lighting systems deliver high PPF levels, typically more than experienced in nature. Adjustments to H₂O, CO₂, RH, nutrients and temperature are usually required. Because the LED fixture does not give of radiant heat towards the plants, it is recommended to work with the Dimlux Plant temperature camera to determine the correct plant temperature.
- The Xplore Series LED is designed to provide a uniform light distribution in the shape of a square. How high? There is a very simple and unique way to determine the minimum height of the luminaire. The rule of thumb is that the shortest distance from armature to crop is half the distance between the armatures (centre size) in a multi-luminaire set-up. It doesn't matter whether the LED is 100 Watt or 200 Watt. A 200 Watt fixture should illuminate a larger area than a 730 Watt fixture, which automatically increases the distance between reflector and crop.
- Due to the lack of radiant heat with LED, the plant temperature will be considerably lower than with HPS. As a result, the temperature of the plant and the ambient temperature in the room vary enormously, so controlling for ambient temperature is no longer sufficient. For accurate results, you can measure the temperature of the leaf surface using the Dimlux plant temperature camera that can be connected directly to the LED fixture.
- Many plants prefer higher temperatures when exposed to high PPF. Experiment with higher temperatures to achieve higher yields. Canopy temperature and room ambient temperature often vary for accurate results, test at the canopy level to gauge leaf surface temperature.

DIMLUX XPLORE SERIES 100W / 200W LED

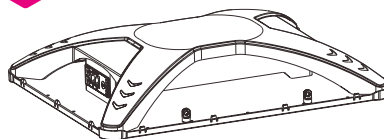
SYSTEM HARDWARE & ACCESSORIES

SYSTEM HARDWARE

(Depending on your product selection at the time of purchase)

- 1 Dimlux Xplore 100W or 200W LED**
Depending on your product selection at the time of purchase
- 2 2.5m Input Cable 1x (EU/UK/USA)**
(based on the continent of purchase)
- 3 V type Hanging Ropes 2x**
- 4 Ratchet Hanger Ropes 1x**

1

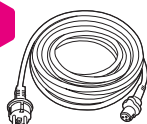


Dimlux Xplore 100W

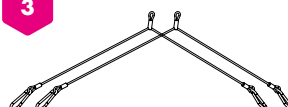


Dimlux Xplore 200W

2



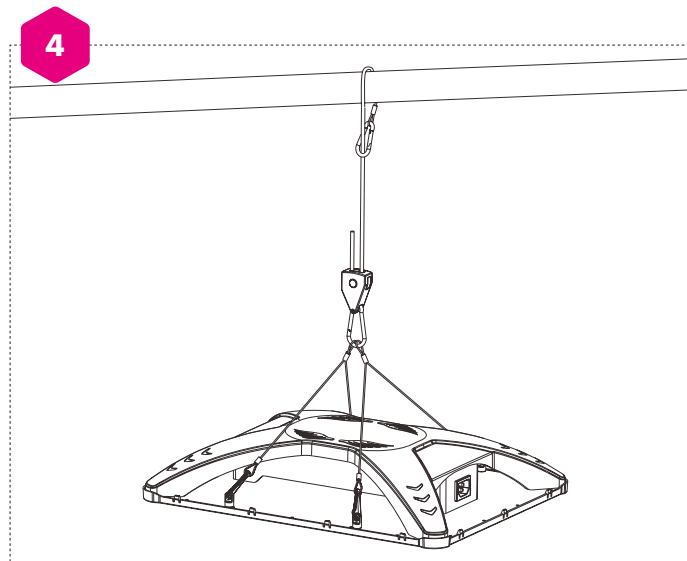
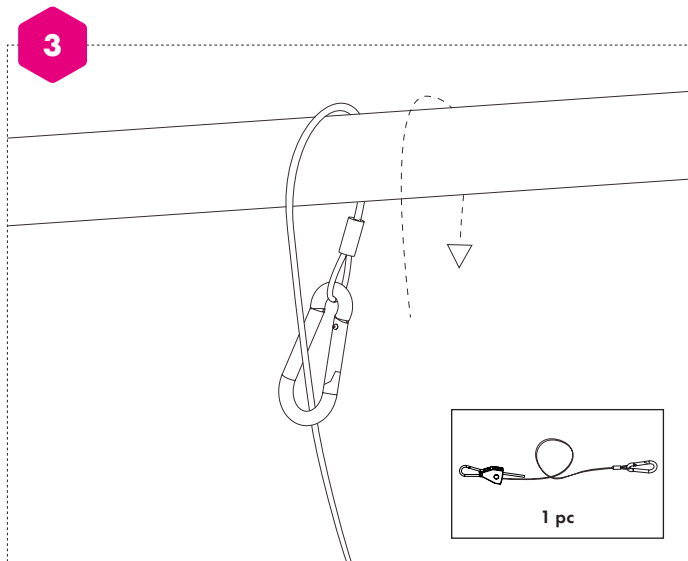
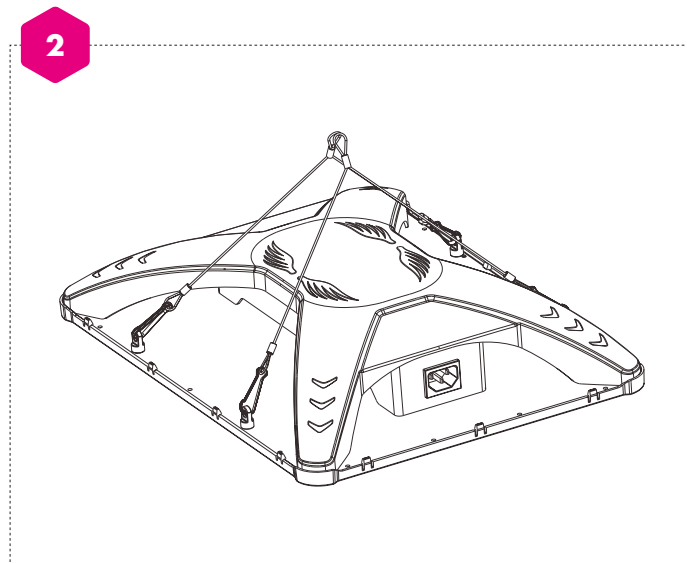
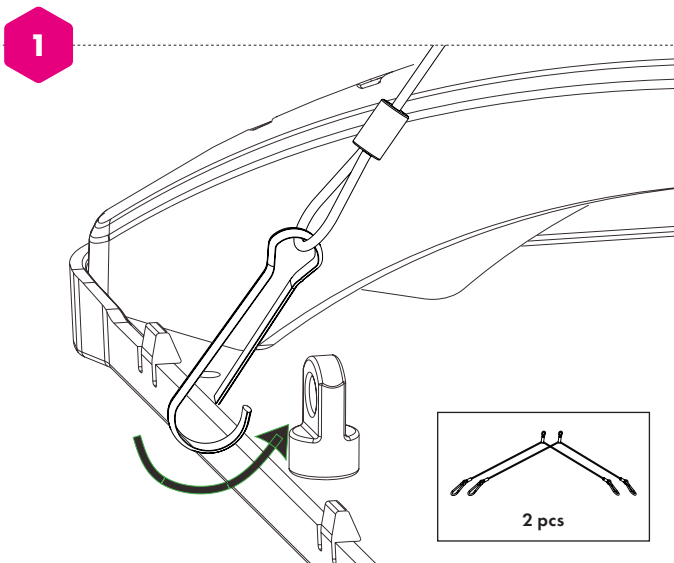
3



4

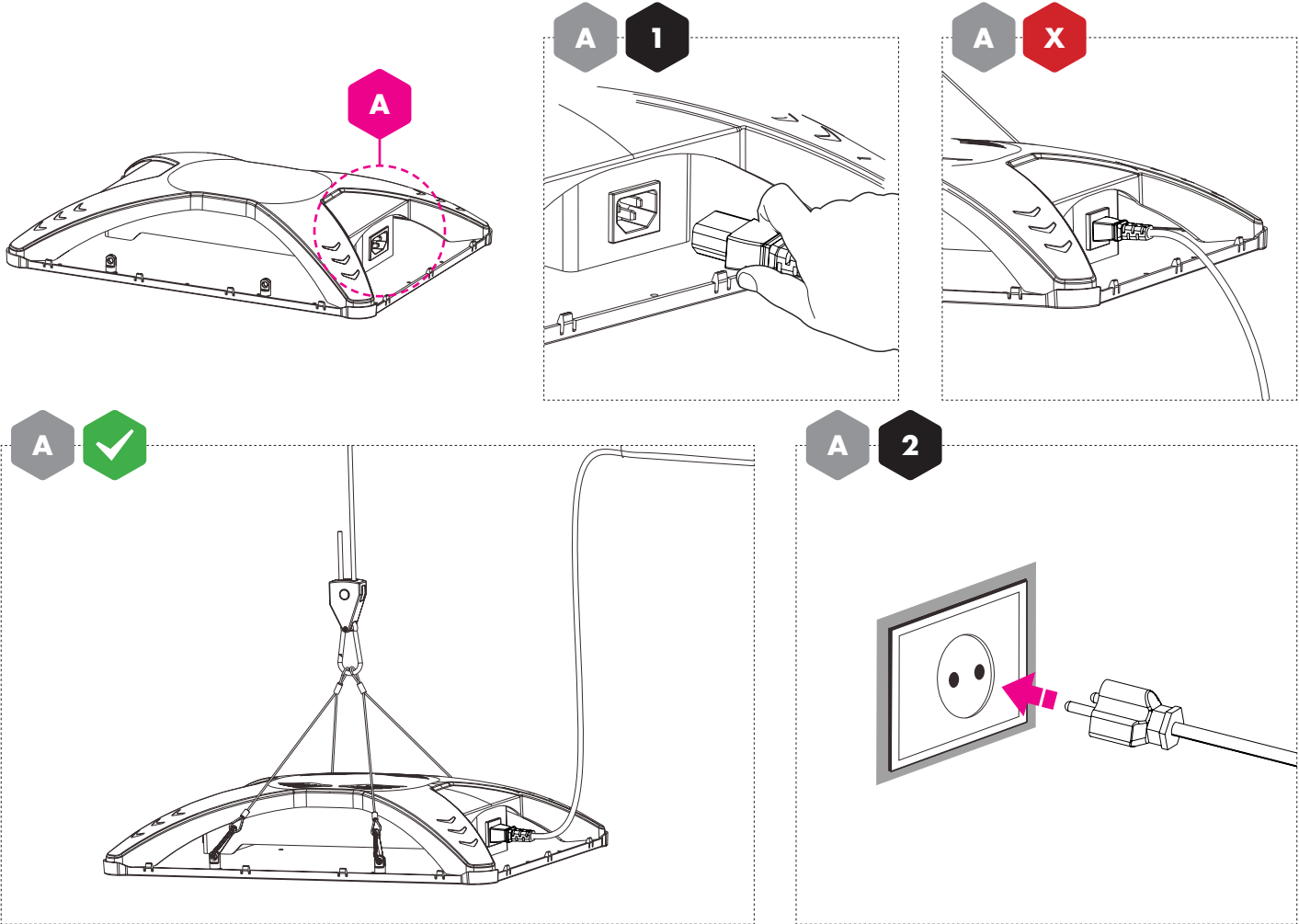


MOUNTING INSTRUCTIONS



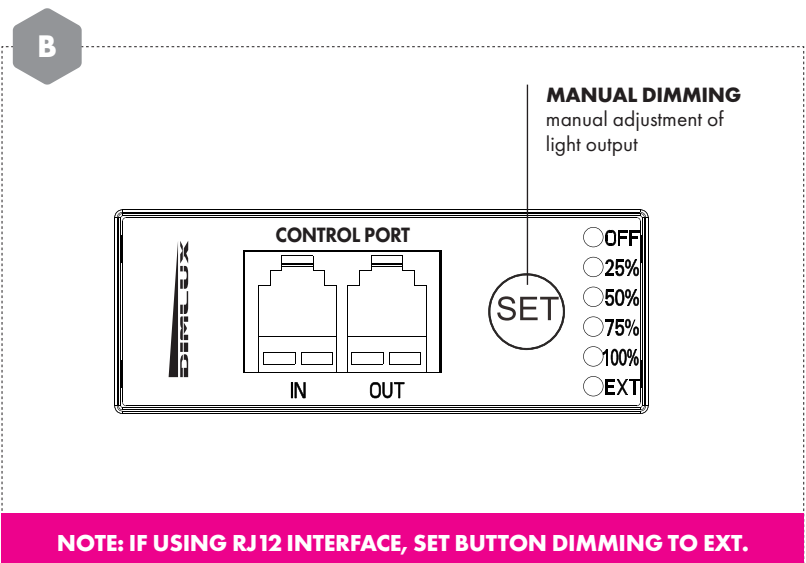
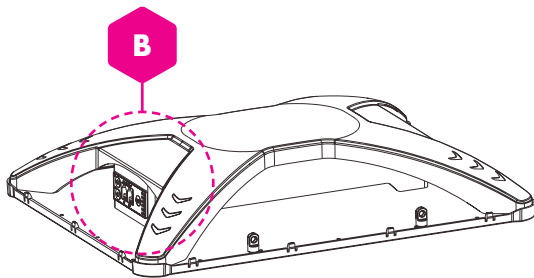
CONNECTING THE INPUT CABLE

The AC cable must be secured to avoid damage to the connector caused by gravity. The diagram depicts the wire-fixing method for illustration purposes.



CONTROLLING & DIMMING

There are 3 dimming modes of the driver, each of them suitable for different applications.



DIMLUX XPLORE SERIES 100W / 200W LED

GENERAL CARE

- Natural convection removes heat away from the heatsink. In order for the system to properly cool itself, at least 5cm (two inch) of space is required between the fixture and the ceiling of your grow area. Failure to do so may shorten the fixture's lifespan.
- To achieve the optimal lifespan and performance of your fixtures, routinely check for and remove excess dust, debris, and mineral build up from heatsink and LED array.
- Do not clean the LED fixture with detergents, abrasives, and/or any other aggressive substances, such as solvents, acetone, alcohol, alkaline cleaners, windows cleaners, and similar.
- Regularly check the power cables of the fixture to ensure it is undamaged and safe to use.
- To limit degradation, avoid touching the diodes with your hands, even in a powered-off state.
- When cleaning, make sure you have unplugged the LED fixture and allow to it cool to room temperature. Do not open the retaining clips when cleaning. The LED fixture can be cleaned with a feather duster or a soft damp cloth. You should plug in the lighting fixture after it has been completely dried.

OTHER WARNINGS

WARNING:

Risk of electrical shock To reduce the possibility of serious injury, always take the proper precautions and unplug the fixture before performing any maintenance, repairs, moving or cleaning. LED fixture surfaces may be hot. Allow sufficient cooling time before handling. Always allow for a cool down period of at least 30 minutes before touching the LED fixture.

WARNING:

Fixture and power supply are UL 1598 Wet Location rated but are not designed to be submerged in water. In the event that the module or power supply enclosure becomes submerged, first disengage the circuit breaker, then unplug submerged components before proceeding to remove from water.

CAUTION:

To prevent eye damage, avoid looking directly at the unshielded LEDs.

CAUTION:

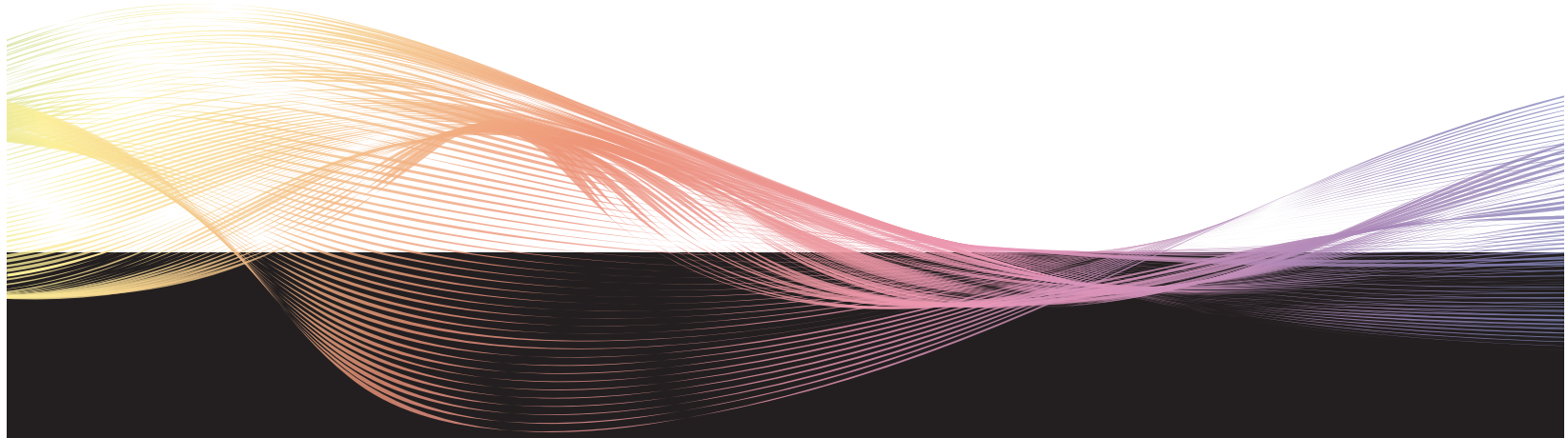
To reduce the risk of overheating or fire, never place operating fixtures face down on a flush surface. Always allow for adequate ventilation of fixtures and power supplies.

WARRANTY:

Never open or disassemble the product. It will void the warranty and will break the water-tight seal. The warranty shall become void if the product and/or electronic components are damaged due to incorrect installation.

DIMLUX

XPLORE SERIES **100W / 200W**
COMPACT LINE
MANUAL



USER MANUAL

Engineered & Designed in Holland

www.dimlux.nl

Manual version 0605 2024



**THE FUTURE OF GROWING
JUST GOT BRIGHTER.**